

B007, Rev. -

1. Finish Goods PKG photo



2. Packing method

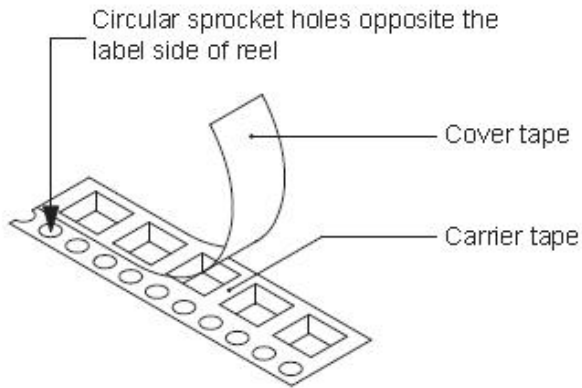
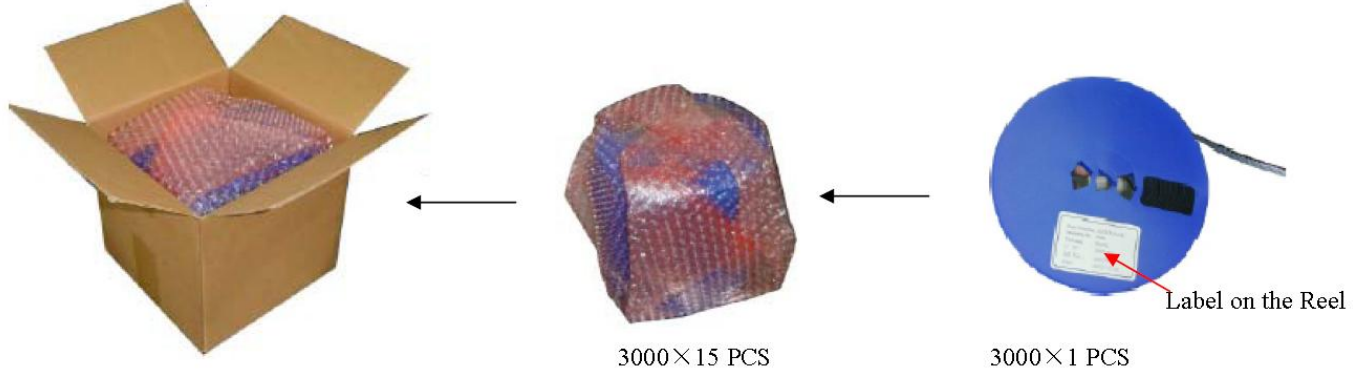


Fig.1- Reel pack for SMD

Table 1. Packing information

Package version	Reel dimensions $\phi \times H$ (mm)	Per reel (pcs)	Reel Weight (Kg)	Reels per Inner box	Inner box (pcs)	Inner box dimensions L×W×H (mm)	Inner box weight (Kg)	Outer box dimensions L×W×H (mm)	Outer box (pcs)	Outer box weight (Kg)
SOD-123	$\phi 178 \times 12.3$	3000	0.11	15	45K	203*203*195	1.25	440*440*230	180K	6.8

3. Product orientation

Standard product orientation SOD-123

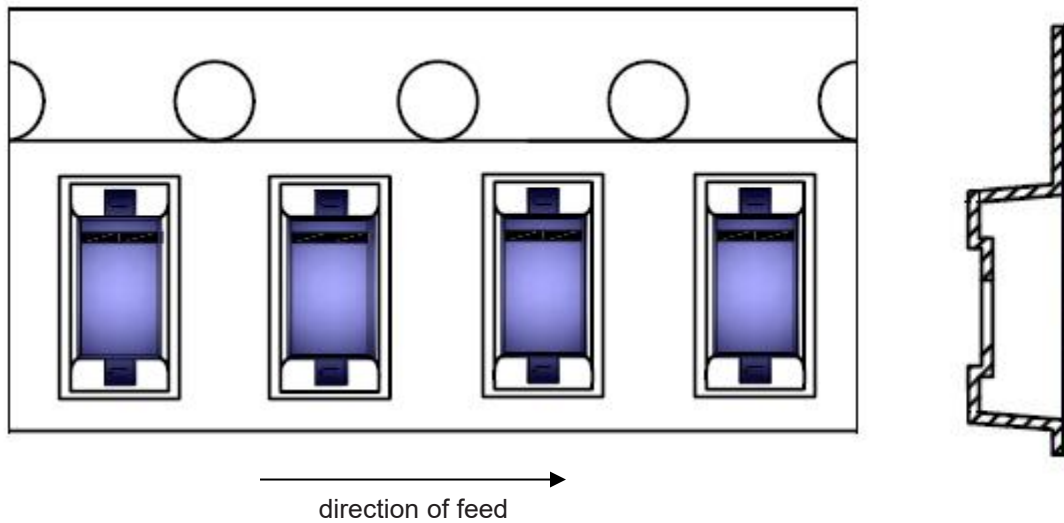


Fig 2. Product orientation in carrier tape

4. Carrier tape dimensions

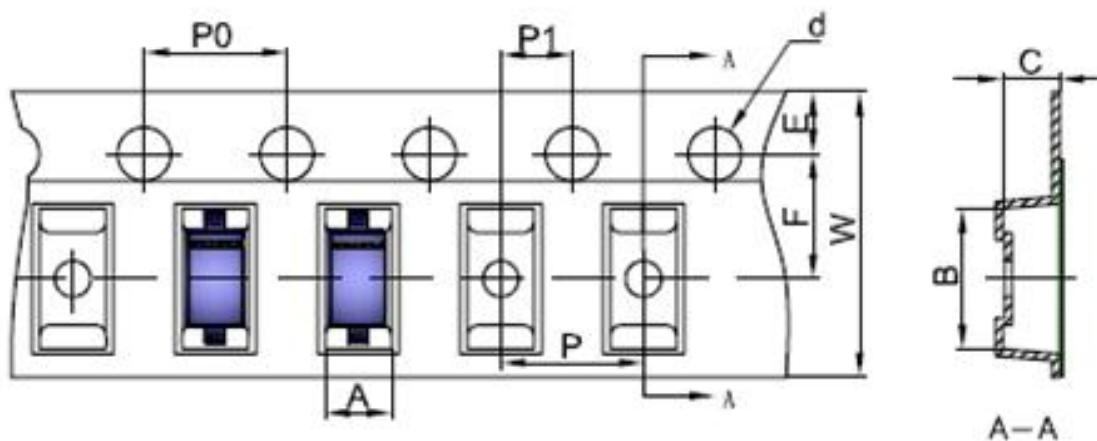


Fig 3. Carrier tape dimensions

5. Reel dimensions

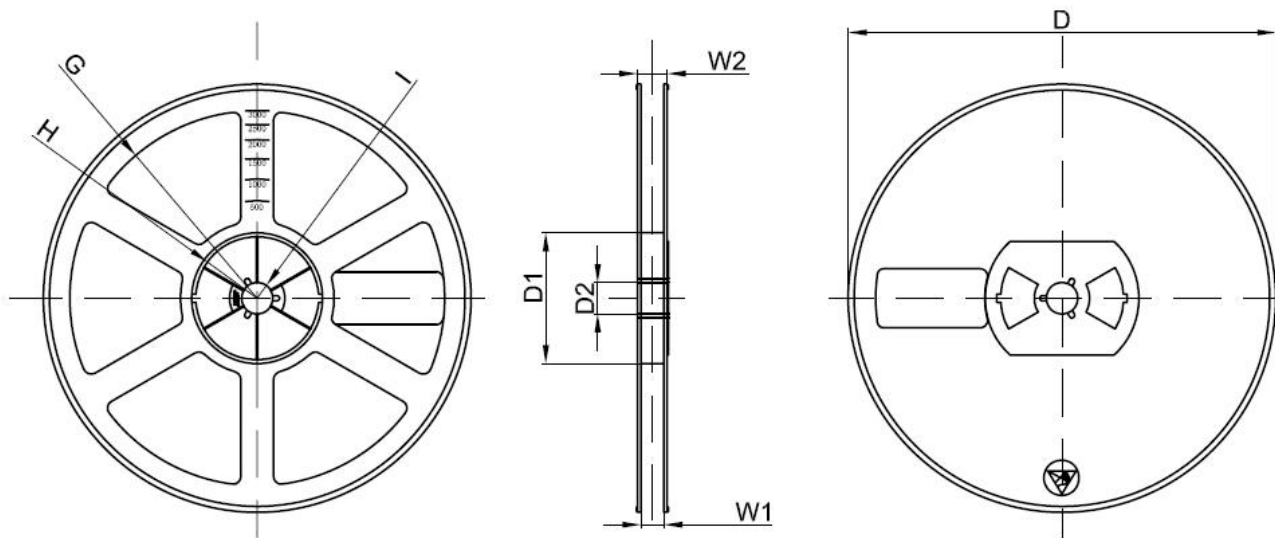


Fig 4. Reel dimensions

Table 2. Carrier tape dimensions

Dimensions are in millimeter										
Pkg type	A	B	C	d	E	F	P0	P	P1	W
SOD-123	1,85	3,94	1,57	Ø1,55	1,75	3,50	4,00	4,00	2,00	8,00
(Tolerance)	+/-0,05	+/-0,05	+/-0,05	+/-0,1	+/-0,1	+/-0,1	+/-0,1	+/-0,1	+/-0,1	+0,3/-0,1

Dimensions are in millimeter								
Reel Option	D	D1	D2	G	H	I	W1	W2
7"Dia	Ø178,00	54,40	13,00	R78,00	R25,60	R6,50	9,50	12,30
Tolerance	+/-2	+/-1	+/-1	+/-1	+/-1	+/-1	+/-1	+/-1